

DEUTZ TTCD 7.8 L6

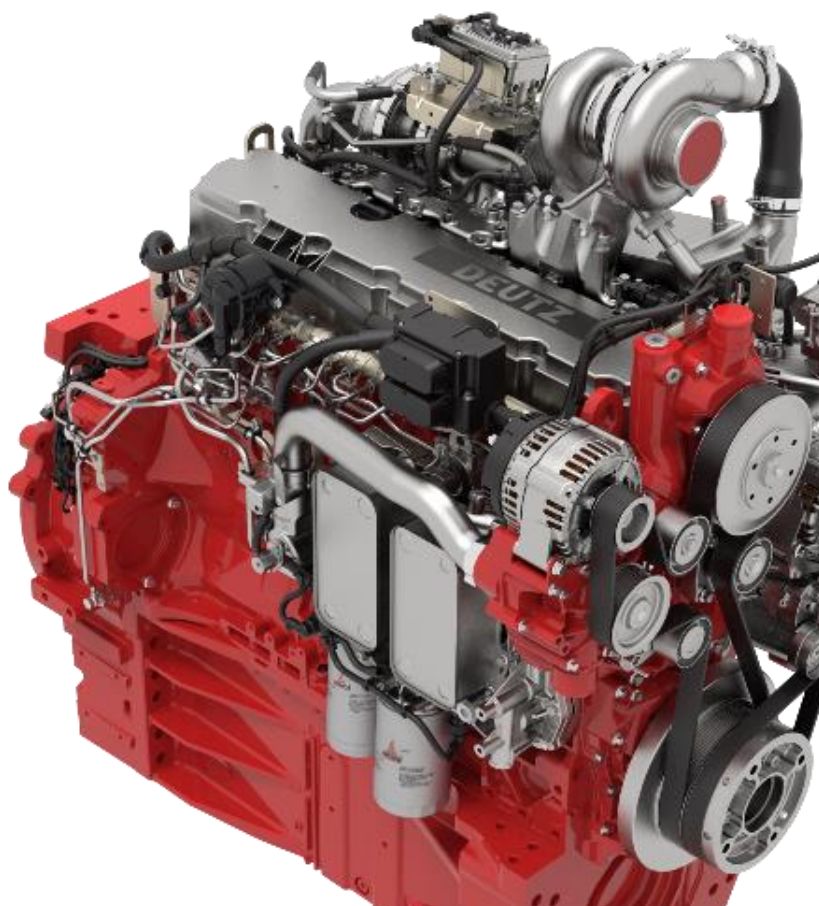
Powerful, efficient and compact.



For Agricultural Equipment

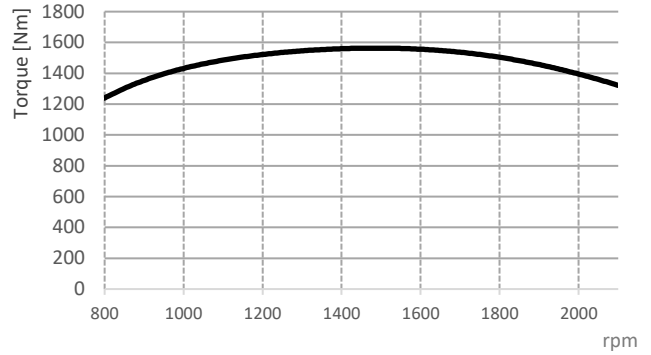
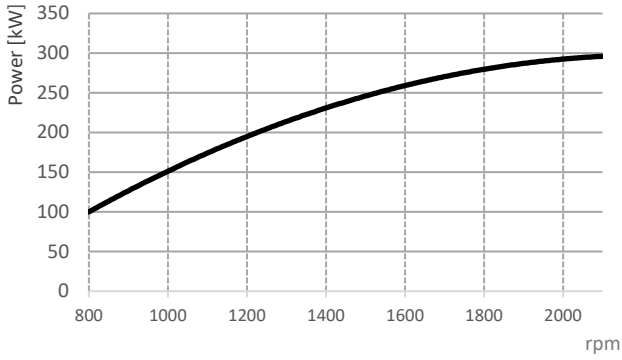
The TTCD 7.8 – With up to 291 kW power output ideal for your application.

- **POWERFUL** / Up to 291 kW & 1565 Nm
- **LOW EMISSIONS** / EU Stage V, US Tier 4 & HVO ready
- **MODULAR** / Wide range of applications due to a variety of options
- **VERSATILE** / Industrial version



DEUTZ TTCD 7.8

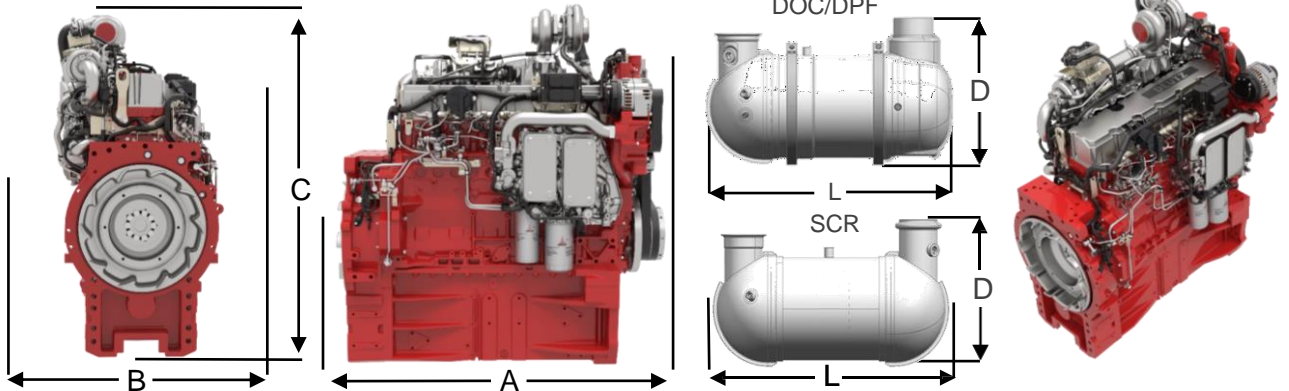
— TTCD 7.8



TECHNICAL DATA

ENGINE TYPE	TTCD 7.8	
No. of Cylinders	6	
Displacement	l	7.755
Max. Nominal Speed	min ⁻¹	2100
Aspiration	Dual stage turbocharger with charge air cooler	
Power Output acc. ISO 14396	kW	291
At Speed	min ⁻¹	2100
Max. Torque	Nm	1565
At Speed	min ⁻¹	1500
Min. Idling Speed	min ⁻¹	800
Specific Fuel Consumption	g/kWh	199
Weight (DIN 70020 Part 7A)	kg	1220

DIMENSIONS



ENGINE TYPE		A	B	C	D	DOC/DPF		SCR		DOC/DPF	SCR
	mm					L	D	L	D		
TTCD 7.8	mm	1256	708	1396	349	505	355	477		● ■	● ■

- Standard for US Tier 4
- Standard for EU Stage V



DEUTZ AG
 Ottostraße 1
 51149 Cologne
 Germany
www.deutz.com