

DEUTZ TCD 3.6 L4

Powerful, efficient and compact.



For Agricultural Equipment

The TCD 3.6 – With up to 105 kW power output ideal for your application.

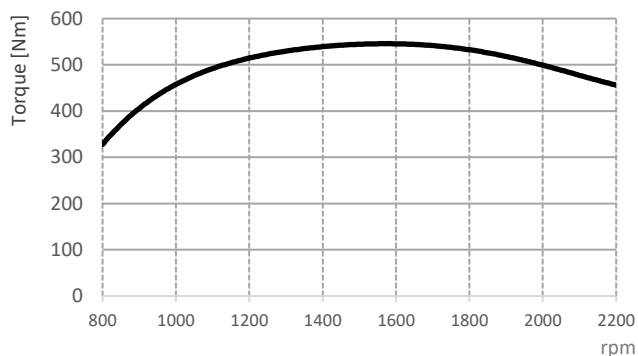
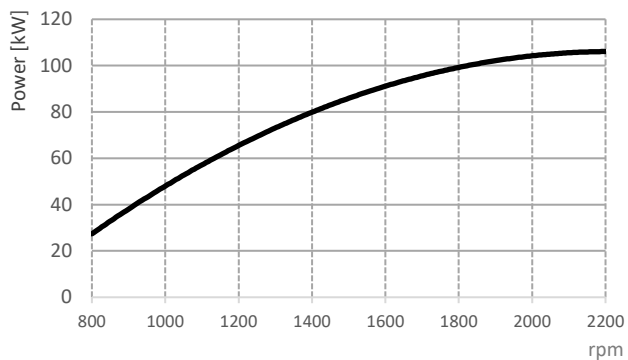
- **POWERFUL** / Up to 105 kW & 550 Nm
- **LOW EMISSIONS** / EU Stage V, US Tier 4 & HVO ready
- **MODULAR** / Wide range of applications due to a variety of option
- **VERSATILE** / Industrial version & EDG – version (Stage IIIA, Tier 3)*



*Emission Downgrade without EAT

DEUTZ TCD 3.6

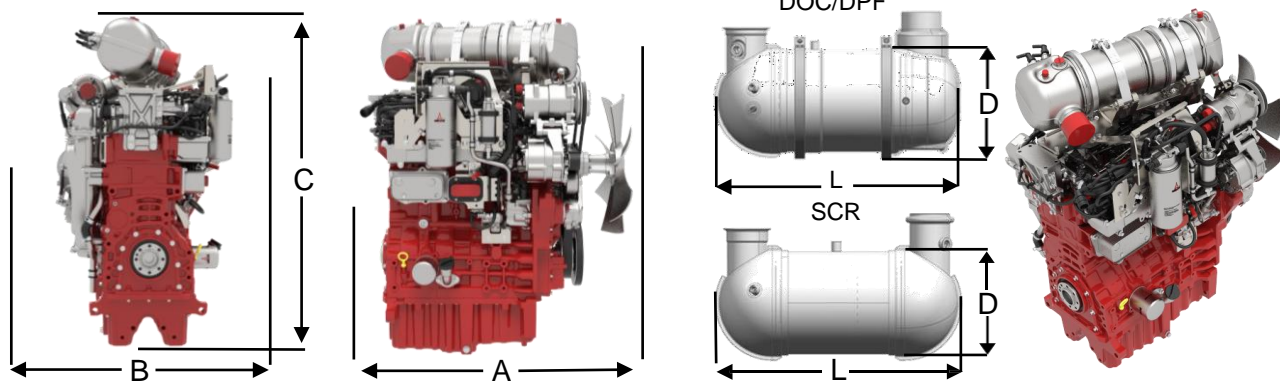
— TCD 3.6



TECHNICAL DATA

ENGINE TYPE	TCD 3.6	
No. of Cylinders	4	
Displacement	l	3.6
Max. Nominal Speed	min ⁻¹	2200
Aspiration	Turbocharger with charge air cooler	
Power Output acc. ISO 14396	kW	105
At Speed	min ⁻¹	2200
Max. Torque	Nm	550
At Speed	min ⁻¹	1600
Min. Idling Speed	min ⁻¹	800
Weight (DIN 70020 Part 7A)	kg	Tbd

DIMENSIONS



ENGINE TYPE	A	B	C	D	DOC/DPF		SCR		DOC/DPF	SCR
TCD 3.6	mm	724	629	972	199	650	240	674	● ■	● ■

- Standard for US Tier 4
- Standard for EU Stage V



DEUTZ AG
 Ottostraße 1
 51149 Cologne
 Germany
www.deutz.com