

DEUTZ TCD 6.1 L6



Powerful, efficient and compact.

For mobile machinery

The TCD 6.1 – With 105 up to 180 kW power output ideal for your application.

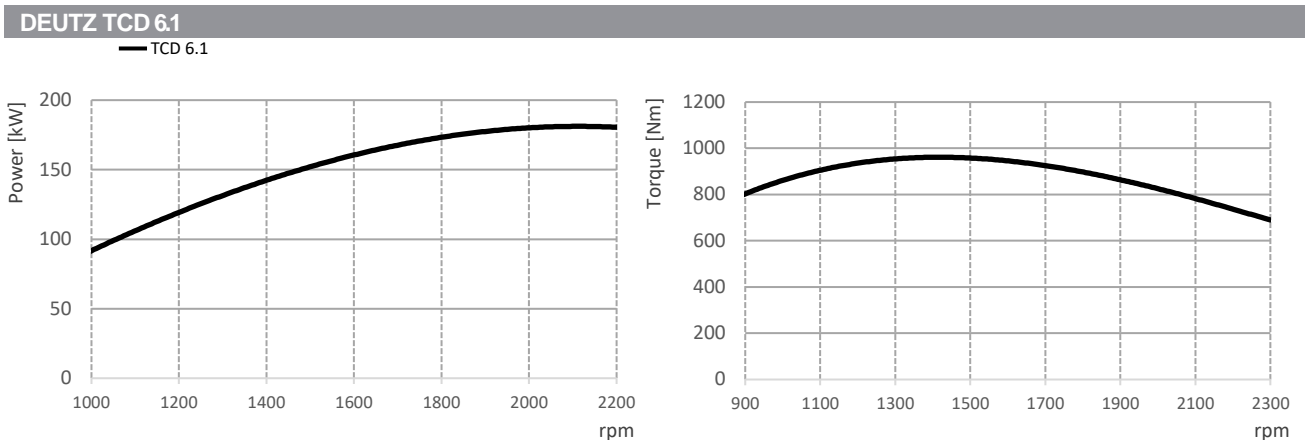
- **POWERFUL** / Up to 180 kW & 1000 Nm
- **LOW EMISSIONS** / EU Stage V, Tier 4f, CN 4 & HVO certified
- **MODULAR** / Wide range of applications due to a variety of options
- **VERSATILE** / Agricultural & EDG - Version* (Stage IIIA, Tier 3)
- **POWERPACK** / Modular, compact & ready for installation



STAGE **V**
certified

CHINA
ready **4**

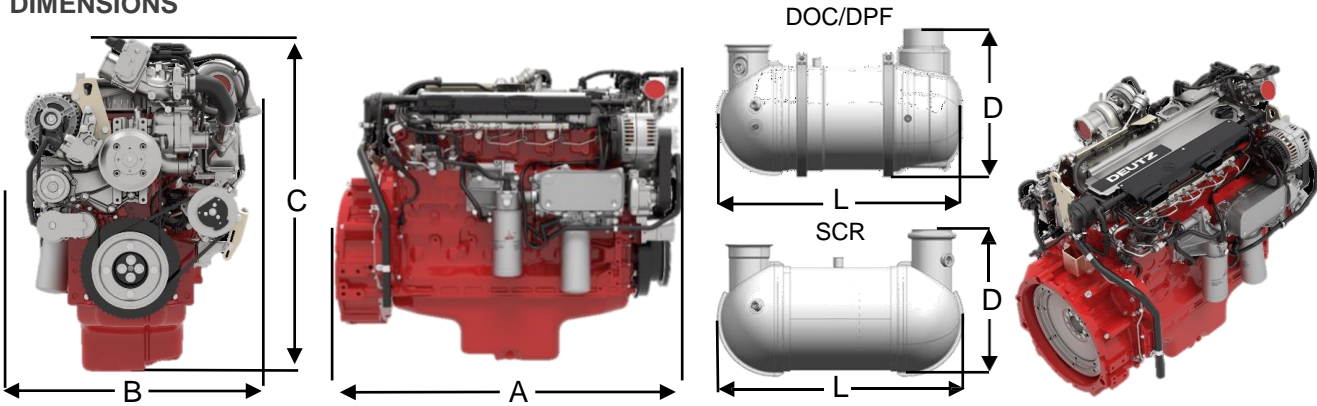
*Emission Downgrade without EAT



TECHNICAL DATA

ENGINE TYPE	TCD 6.1	
No. of Cylinders	6	
Displacement	l	6.057
Max. Nominal Speed	min ⁻¹	2300
Aspiration	Turbocharger with intercooler	
Power Output acc. ISO 14396	kW	105 - 180
At Speed	min ⁻¹	2100 - 2300
Max. Torque	Nm	1000
At Speed	min ⁻¹	1450
Min. Idling Speed	min ⁻¹	600
Weight (DIN 70020 Part 7A)	kg	620

DIMENSIONS



ENGINE TYPE	A	B	C	D	DOC/DPF		SCR		DOC/DPF	SCR
					L	D	L	D		
TCD 6.1	mm	1080	724	948	272	782	272	689	● ■	● ■

- Standard for US Tier 4
- Standard for EU Stage V

