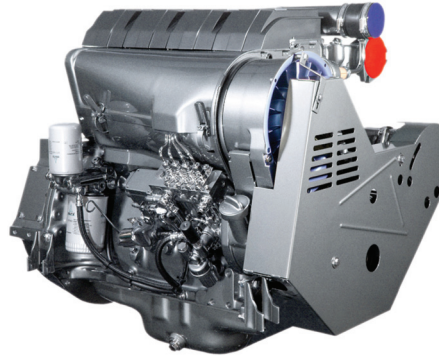


BFL 914

for generator sets

29 - 154 kW | 38 - 206 hp at 1500/1800 min⁻¹ | rpm
EU Stage II / US EPA Tier 2 and lower

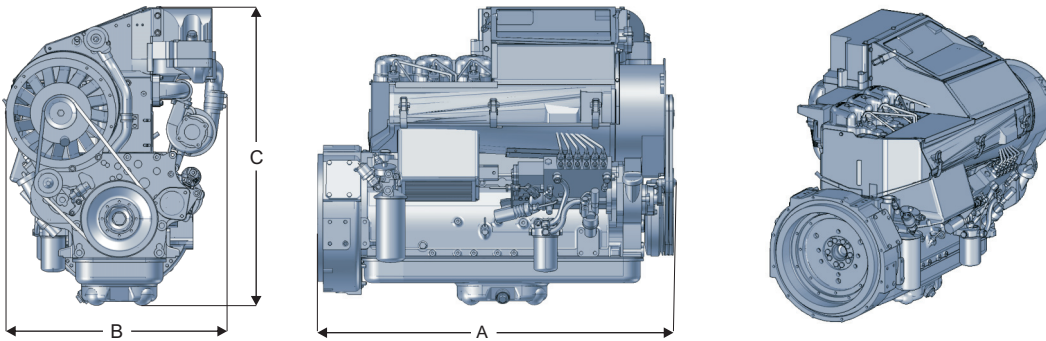
- Air-cooled 3 to 6-cylinder naturally aspirated engines in inline arrangement.
- 4- and 6-cylinder engines also with turbocharging and optional charge air cooling.
- Low noise emissions due to acoustically optimized components with very smooth running and high durability.
- Also available with an electronic motor regulator (EMR) to allow easy integration into the electronic device control and monitoring system.



- Best cold starting performance even under extreme conditions.

- Easy, inexpensive installation due to minimum weight and small installation space.
- The robust engine design allows worldwide operation even with high sulphur fuels.
- Highly efficient injection and combustion system ensures optimum engine performance at low consumption.
- A very good load response ensures an immediate power supply.

Dimensions



		A	B	C
F3L 914	mm in	690 27	695 27	800 31
F4L 914	mm in	830 33	670 26	800 31
F5L 914	mm in	865 34	720 28	850 33
F6L 914	mm in	1085 43	675 27	885 35
BF4L 914	mm in	805 32	710 28	810 32
BF6L 914	mm in	1105 43	705 28	920 36
BF6L 914C	mm in	1130 44	775 30	1060 42

Note: The engine dimensions and weights vary depending on the scope of delivery.

The engine company.



Technical data EU Stage II/US EPA Tier 2

Engine type		F3L 914	F4L 914	F6L 914	BF6L 914	BF6L 914C
No. of cylinders		3	4	6	6	6
Bore/stroke	mm in	102/132 4.0/5.2	102/132 4.0/5.2	102/132 4.0/5.2	102/132 4.0/5.2	102/132 4.0/5.2
Displacement	l cu in	3.2 197	4.3 263	6.5 395	6.5 395	6.5 395
Weight (incl. cooler and fan)	kg lb	277 611	307 677	430 948	485 1069	510 1124
Governing standard ¹⁾		G2	G2	G2	G2	G2

50 Hz / 1500 min⁻¹

Power		F3L 914	F4L 914	F6L 914	BF6L 914	BF6L 914C
Continuous Power (COP) ²⁾	kW hp	28.5 38.2	37.5 50.3	54.1 72.5	88.7 118.9	111.0 148.9
Prime Power (PRP) ³⁾	kW hp	30.0 40.2	39.5 53.0	56.9 76.3	93.4 125.3	116.8 156.6
Limited Time Power (LTP) ⁴⁾	kW hp	31.5 42.2	41.5 55.7	59.7 80.1	98.1 131.6	122.6 164.4
Fan power consumption	kW hp	0.5 0.7	0.5 0.7	0.7 0.9	1.5 2.0	1.6 2.1
Typical Generator Output COP ⁶⁾	kVA	32	42	60	98	123
Typical Generator Output PRP ⁶⁾	kVA	33	44	63	103	130
Typical Generator Output LTP ⁶⁾	kVA	35	46	66	109	136

Fuel Consumption (PRP) ⁵⁾		F3L 914	F4L 914	F6L 914	BF6L 914	BF6L 914C
Fuel consumption 25% load	g/kWh lb/hph	310 0.51	320 0.53	330 0.54	305 0.50	300 0.49
Fuel consumption 50% load	g/kWh lb/hph	230 0.38	241 0.40	235 0.39	248 0.41	243 0.40
Fuel consumption 75% load	g/kWh lb/hph	214 0.35	221 0.36	220 0.36	235 0.39	231 0.38
Fuel consumption 100% load	g/kWh lb/hph	210 0.35	223 0.37	216 0.36	227 0.37	223 0.37

Inlet & exhaust data		F3L 914	F4L 914	F6L 914	BF6L 914	BF6L 914C
max. intake depression	mbar psi	20 0.29	20 0.29	20 0.29	20 0.29	20 0.29
Combustion air volume	m ³ /h cfm	131 77	174 102	262 154	374 220	453 267
max. exhaust gas temperature	°C °F	450 842	455 851	510 950	550 1022	525 977
Exhaust gas flow	m ³ /h cfm	358 211	476 280	715 421	1058 623	1278 752

60 Hz / 1800 min⁻¹

Power		F3L 914	F4L 914	F6L 914	BF6L 914	BF6L 914C
Continuous Power (COP) ²⁾	kW hp	33.3 44.7	45.4 60.9	65.2 87.4	92.1 123.5	129.2 173.3
Prime Power (PRP) ³⁾	kW hp	34.8 46.7	47.4 63.6	68.2 91.5	96.9 129.9	136.0 182.4
Limited Time Power (LTP) ⁴⁾	kW hp	36.8 49.3	49.9 66.9	71.7 96.2	101.8 136.5	142.8 191.5
Fan power consumption	kW hp	0.8 1.1	0.9 1.2	1.2 1.6	1.8 2.4	2.8 3.8
Typical Generator Output COP ⁶⁾	kWe	30	40	58	81	114
Typical Generator Output PRP ⁶⁾	kWe	31	42	60	86	120
Typical Generator Output LTP ⁶⁾	kWe	32	44	64	90	126

Fuel Consumption (PRP) ⁵⁾		F3L 914	F4L 914	F6L 914	BF6L 914	BF6L 914C
Fuel consumption 25% load	g/kWh lb/hph	335 0.55	335 0.55	300 0.49	280 0.46	300 0.49
Fuel consumption 50% load	g/kWh lb/hph	234 0.38	234 0.38	228 0.37	223 0.37	243 0.40
Fuel consumption 75% load	g/kWh lb/hph	221 0.36	122 0.20	209 0.34	211 0.35	231 0.38
Fuel consumption 100% load	g/kWh lb/hph	208 0.34	210 0.35	207 0.34	209 0.34	223 0.37

Inlet & exhaust data		F3L 914	F4L 914	F6L 914	BF6L 914	BF6L 914C
max. intake depression	mbar psi	20 0.29	20 0.29	20 0.29	20 0.29	20 0.29
Combustion air volume	m ³ /h cfm	157 92	209 123	315 185	526 310	642 378
max. exhaust gas temperature	°C °F	485 905	490 914	540 1004	590 1094	505 941
Exhaust gas flow	m ³ /h cfm	426 251	572 337	853 502	1462 861	1827 1075

1) According to ISO 8528-5.

2) Continuous Power: No time limitation, plus 10% additional power for governing purpose only.

3) Prime Power: Average power output ≤ 80%, no time limitation, plus 5% additional power for governing purpose only.

4) Limited Time Running Power: For up to 500 h/year, thereof a maximum of 300 h/year continuous running.

5) Refers to diesel with a density of 0.835 kg/dm³ at 15°C | 6.96 lb/US gallon at 60°F.

6) In consideration of a generator efficiency level of 90 % and a power factor of 0.8.

The data on this data sheet are for information purposes only and are not binding values. The data in the quotation is definitive.



Technical data for markets without emission regulation

Engine type		F3L 914	F4L 914	F6L 914
No. of cylinders		3	4	6
Bore/stroke	mm in	102/132 4.0/5.2	102/132 4.0/5.2	102/132 4.0/5.2
Displacement	l cu in	3.2 197	4.3 263	6.5 395
Weight (incl. cooler and fan)	kg lb	277 611	307 677	430 948
Governing standard ¹⁾		G2	G2	G2

Engine type		BF4L 914	BF6L 914	BF6L 914C
No. of cylinders		4	6	6
Bore/stroke	mm in	102/132 4.0/5.2	102/132 4.0/5.2	102/132 4.0/5.2
Displacement	l cu in	4.3 263	6.5 395	6.5 395
Weight (incl. cooler and fan)	kg lb	350 772	485 1069	510 1124
Governing standard ¹⁾		G2	G2	G2

50 Hz / 1500 min⁻¹

Power		F3L 914	F4L 914	F6L 914
Continuous Power (COP) ²⁾	kW hp	31.5 42.2	41.5 55.7	62.7 84.1
Prime Power (PRP) ³⁾	kW hp	33.0 44.3	43.5 58.3	65.7 88.1
Limited Time Power (LTP) ⁴⁾	kW hp	35.0 46.9	46.0 61.7	69.2 92.8
Fan power consumption	kW hp	0.5 0.7	0.5 0.7	0.7 0.9
Typical Generator Output COP ⁶⁾	kVA	35	46	69
Typical Generator Output PRP ⁶⁾	kVA	37	48	73
Typical Generator Output LTP ⁶⁾	kVA	39	51	77

Power		BF4L 914	BF6L 914	BF6L 914C
Continuous Power (COP) ²⁾	kW hp	57.7 77.4	89.1 119.5	115.6 155.0
Prime Power (PRP) ³⁾	kW hp	59.7 80.1	93.1 124.8	120.6 161.7
Limited Time Power (LTP) ⁴⁾	kW hp	62.7 84.1	98.1 131.6	126.6 169.8
Fan power consumption	kW hp	0.7 0.9	1.1 1.5	1.6 2.1
Typical Generator Output COP ⁶⁾	kVA	64	99	131
Typical Generator Output PRP ⁶⁾	kVA	66	104	137
Typical Generator Output LTP ⁶⁾	kVA	70	109	144

Fuel Consumption (PRP) ⁵⁾		F3L 914	F4L 914	F6L 914
Fuel consumption 25% load	g/kWh lb/hph	323 0.53	323 0.53	315 0.52
Fuel consumption 50% load	g/kWh lb/hph	228 0.37	228 0.37	220 0.36
Fuel consumption 75% load	g/kWh lb/hph	207 0.34	207 0.34	204 0.34
Fuel consumption 100% load	g/kWh lb/hph	205 0.34	205 0.34	205 0.34

Fuel Consumption (PRP) ⁵⁾		BF4L 914	BF6L 914	BF6L 914C
Fuel consumption 25% load	g/kWh lb/hph	323 0.53	280 0.46	265 0.44
Fuel consumption 50% load	g/kWh lb/hph	228 0.37	223 0.37	221 0.36
Fuel consumption 75% load	g/kWh lb/hph	207 0.34	211 0.35	209 0.34
Fuel consumption 100% load	g/kWh lb/hph	205 0.34	209 0.34	206 0.34

Inlet & exhaust data		F3L 914	F4L 914	F6L 914
max. intake depression	mbar psi	20 0.29	20 0.29	20 0.29
Combustion air volume	m ³ /h cfm	131 77	174 102	262 154
max. exhaust gas temperature	°C °F	450 842	455 851	510 950
Exhaust gas flow	m ³ /h cfm	358 211	476 280	715 421

Inlet & exhaust data		BF4L 914	BF6L 914	BF6L 914C
max. intake depression	mbar psi	20 0.29	20 0.29	20 0.29
Combustion air volume	m ³ /h cfm	226 133	374 220	453 267
max. exhaust gas temperature	°C °F	540 1004	550 1022	525 977
Exhaust gas flow	m ³ /h cfm	644 379	1058 623	1287 758



60 Hz / 1800 min⁻¹

Power		F3L 914	F4L 914	F6L 914
Continuous Power (COP) ²⁾	kW hp	37.3 50.0	49.4 66.2	74.2 99.5
Prime Power (PRP) ³⁾	kW hp	38.8 52.0	51.9 69.6	77.7 104.2
Limited Time Power (LTP) ⁴⁾	kW hp	40.8 54.7	54.4 73.0	81.7 109.6
Fan power consumption	kW hp	0.5 0.7	0.5 0.7	1.0 1.3
Typical Generator Output COP ⁶⁾	kWe	33	44	66
Typical Generator Output PRP ⁶⁾	kWe	34	46	69
Typical Generator Output LTP ⁶⁾	kWe	36	49	73

Power		BF4L 914	BF6L 914	BF6L 914C
Continuous Power (COP) ²⁾	kW hp	68.2 91.5	107.8 144.6	139.8 187.5
Prime Power (PRP) ³⁾	kW hp	71.2 95.5	111.8 149.9	146.3 196.2
Limited Time Power (LTP) ⁴⁾	kW hp	75.2 100.8	117.8 158.0	153.8 206.2
Fan power consumption	kW hp	1.2 1.6	1.8 2.4	2.8 3.8
Typical Generator Output COP ⁶⁾	kWe	60	95	123
Typical Generator Output PRP ⁶⁾	kWe	63	99	129
Typical Generator Output LTP ⁶⁾	kWe	67	104	136

Fuel Consumption (PRP) ⁵⁾		F3L 914	F4L 914	F6L 914
Fuel consumption 25% load	g/kWh lb/hph	335 0.55	335 0.55	300 0.49
Fuel consumption 50% load	g/kWh lb/hph	234 0.38	234 0.38	228 0.37
Fuel consumption 75% load	g/kWh lb/hph	221 0.36	212 0.35	209 0.34
Fuel consumption 100% load	g/kWh lb/hph	210 0.35	210 0.35	207 0.34

Fuel Consumption (PRP) ⁵⁾		BF4L 914	BF6L 914	BF6L 914C
Fuel consumption 25% load	g/kWh lb/hph	335 0.55	280 0.46	280 0.46
Fuel consumption 50% load	g/kWh lb/hph	234 0.38	223 0.37	223 0.37
Fuel consumption 75% load	g/kWh lb/hph	212 0.35	211 0.35	211 0.35
Fuel consumption 100% load	g/kWh lb/hph	210 0.35	209 0.34	209 0.34

Inlet & exhaust data		F3L 914	F4L 914	F6L 914
max. intake depression	mbar psi	20 0.29	20 0.29	20 0.29
Combustion air volume	m ³ /h cfm	157 92	209 123	315 185
max. exhaust gas temperature	°C °F	485 905	490 914	540 1004
Exhaust gas flow	m ³ /h cfm	426 251	572 337	853 502

Inlet & exhaust data		BF4L 914	BF6L 914	BF6L 914C
max. intake depression	mbar psi	20 0.29	20 0.29	20 0.29
Combustion air volume	m ³ /h cfm	310 182	526 310	642 378
max. exhaust gas temperature	°C °F	530 986	540 1004	505 941
Exhaust gas flow	m ³ /h cfm	850 500	1315 774	1644 968

1) According to ISO 8528-5.

2) Continuous Power: No time limitation, plus 10% additional power for governing purpose only.

3) Prime Power: Average power output ≤ 80%, no time limitation, plus 5% additional power for governing purpose only.

4) Limited Time Running Power: For up to 500 h/year, thereof a maximum of 300 h/year continuous running.

5) Refers to diesel with a density of 0.835 kg/dm³ at 15°C | 6.96 lb/US gallon at 60°F.

6) In consideration of a generator efficiency level of 90 - 92 % and a power factor of 0.8.

The data on this data sheet are for information purposes only and are not binding values. The data in the quotation is definitive.

For more information please contact the DEUTZ AG Köln or the responsible sales partner.

